



WAUSAU

WINDOW AND WALL
SYSTEMS

ELEVATIONS

Architectural Sliding Glass Door

CROSSTRAK™ Series

Elevations Viewed From The Exterior

Section Contents	Page(s)
Details	D2-2 thru D2-13
Screens	D2-14
Glazing Options	D2-15

AAMA Test Configurations (shown)

Architectural AW Class

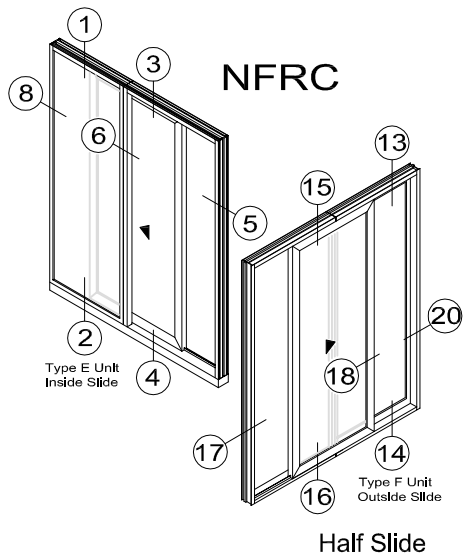
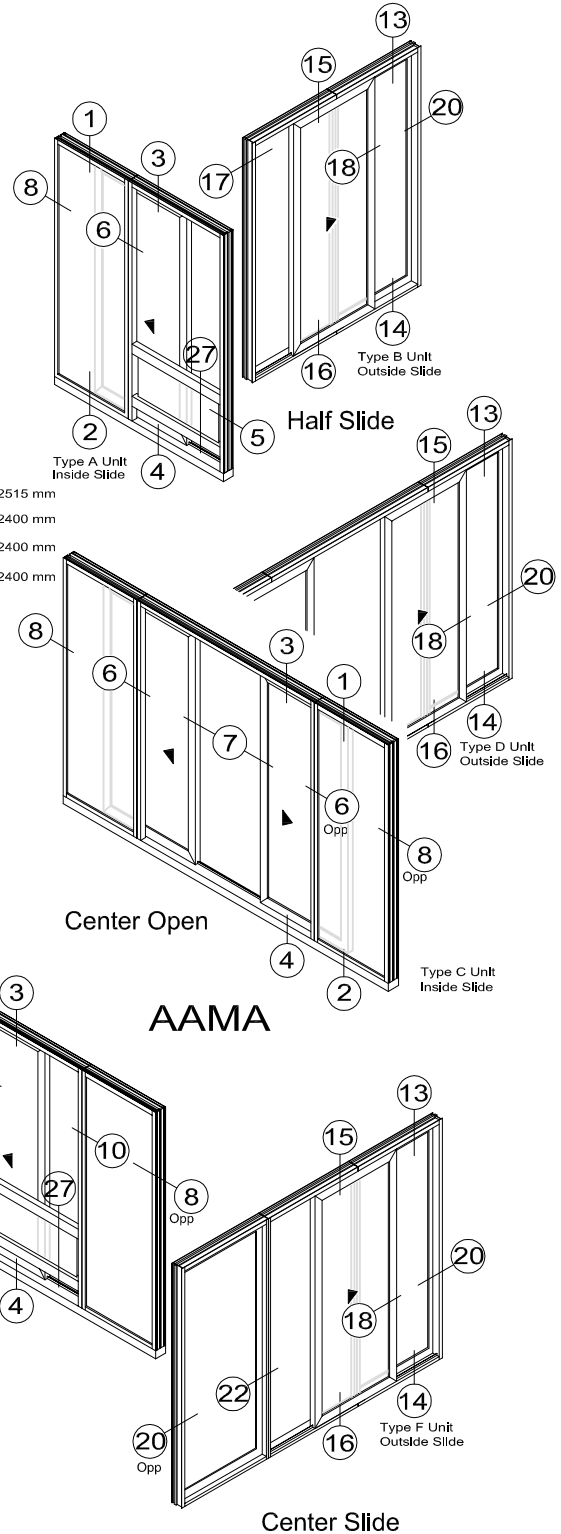
For air, water, cycling and structural

Fixed Frame Size	60" x 99"	Fixed	1524 mm x 2515 mm
Gateway Sizes	122" x 94.5"	Type A,	3102 mm x 2400 mm
Sliding Patio Door Frame Size	240.5" x 94.5"	Type C,	4610 mm x 2400 mm
Sliding Patio Door Frame Size	181.5" x 94.5"	Type E	6113 mm x 2400 mm

NFRC 100 Thermal Test Configurations (shown)

For U-Factor, SHGC and CR

Fixed Frame Size	47" x 59"	1194 mm x 1499mm
Sliding Patio Door Frame Size	80" x 80"	2032 mm x 2032 mm



CROSSTRAK

Contact A Wausau Representative For Other Possible Configurations.



WAUSAU

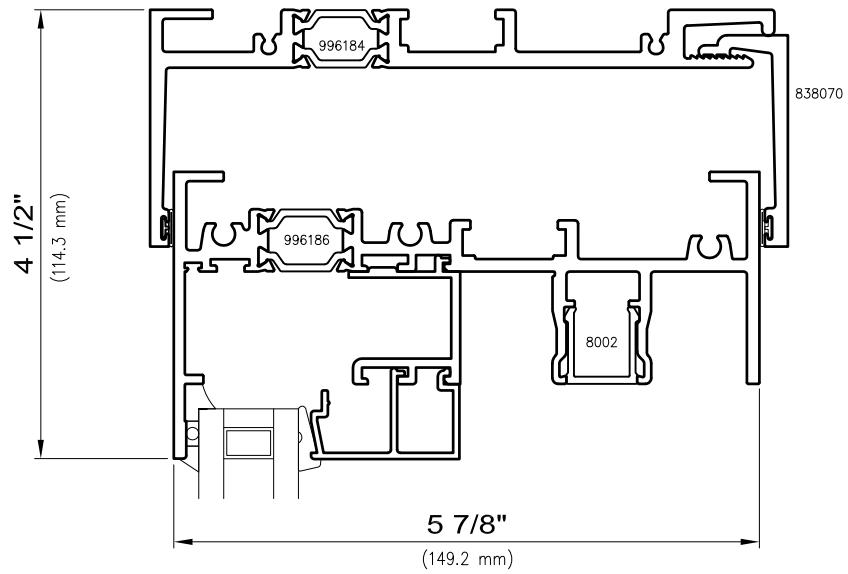
WINDOW AND WALL
SYSTEMS

SLIDING PATIO DOOR

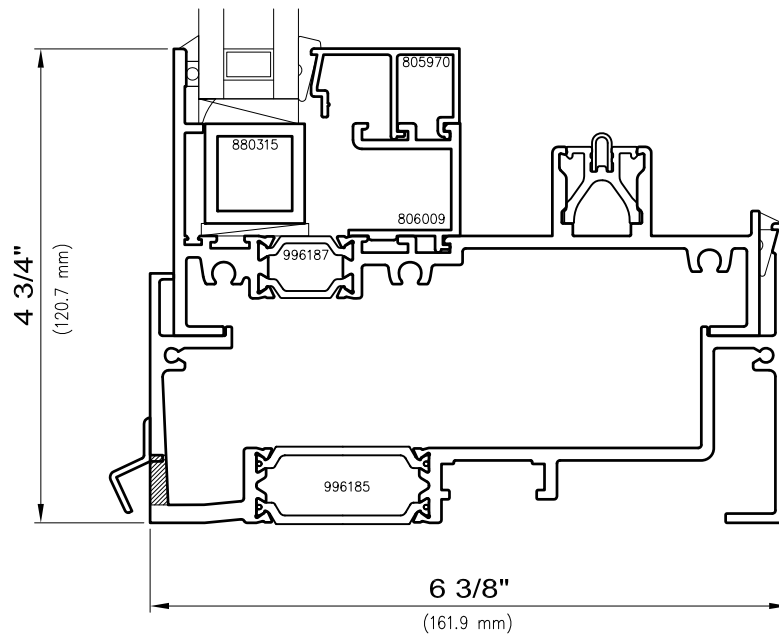
Architectural Sliding Glass Door

CROSSTRAK™ Series

1
Fixed Head
Inside Slide



2
Fixed Sill
Inside Slide





WAUSAU

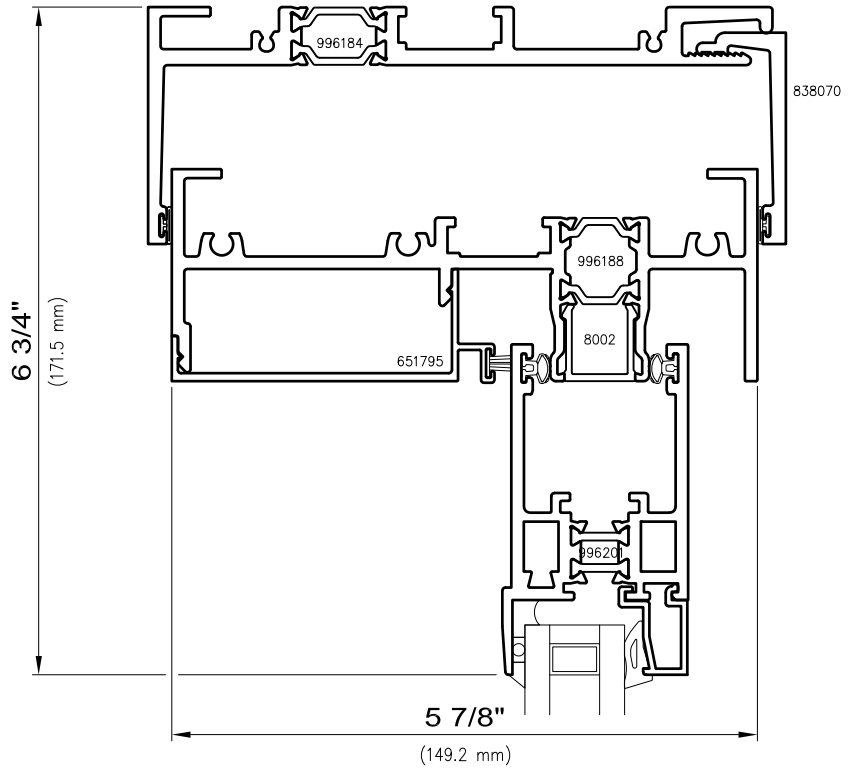
WINDOW AND WALL
SYSTEMS

SLIDING PATIO DOOR

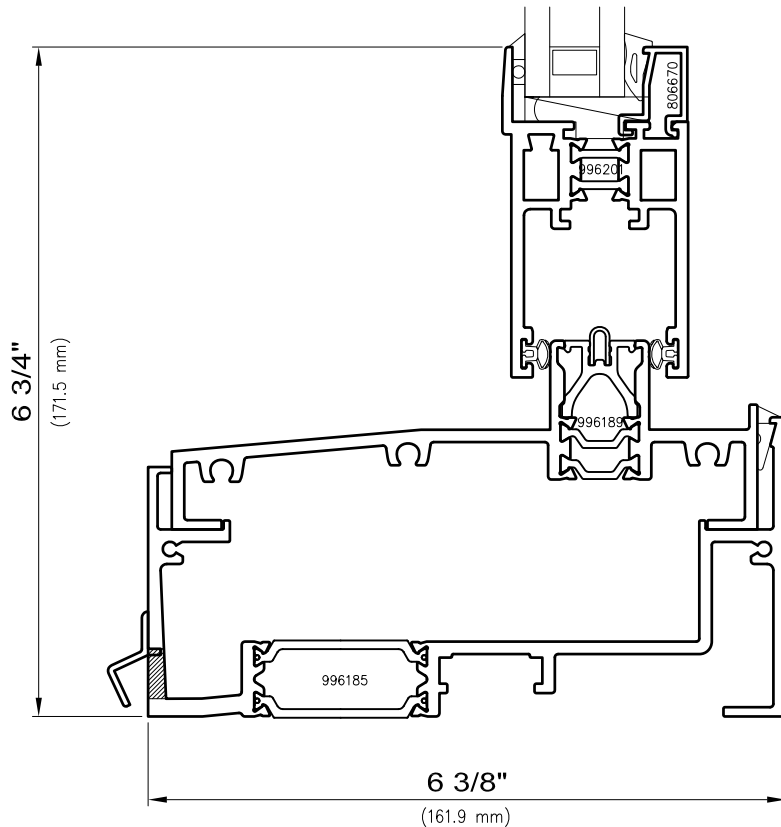
Architectural Sliding Glass Door

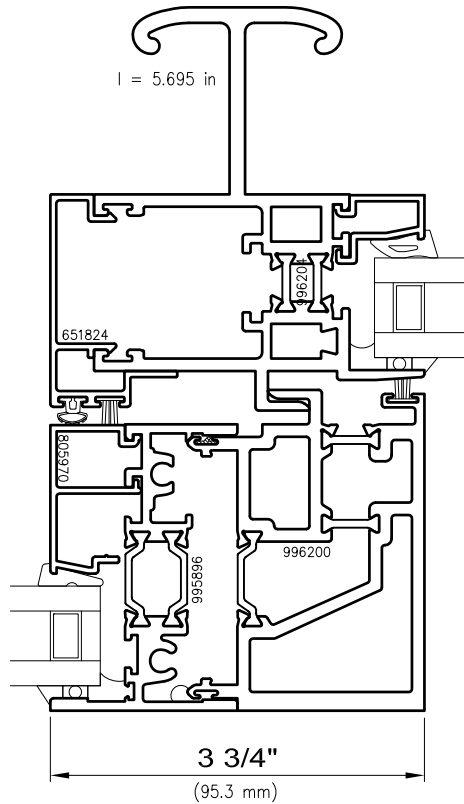
CROSSTRAK™ Series

3
Operable Head
Inside Slide

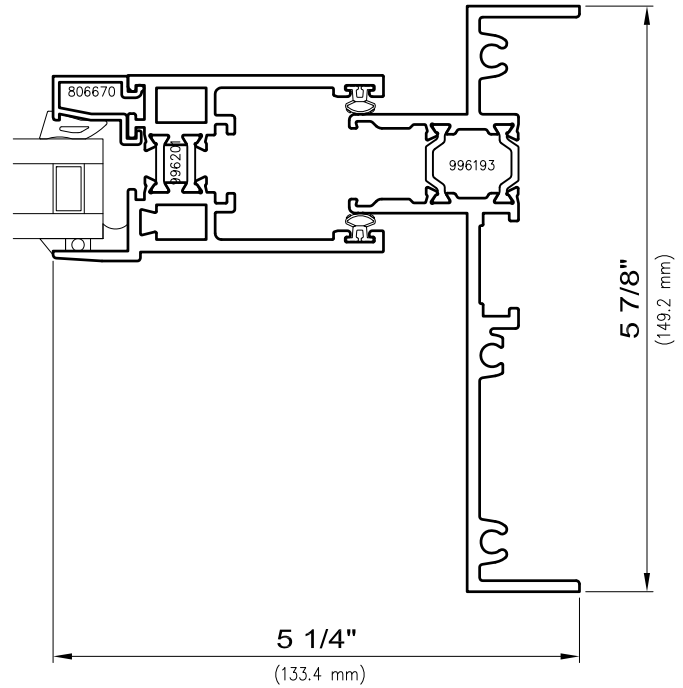


4
Operable Sill
Inside Slide

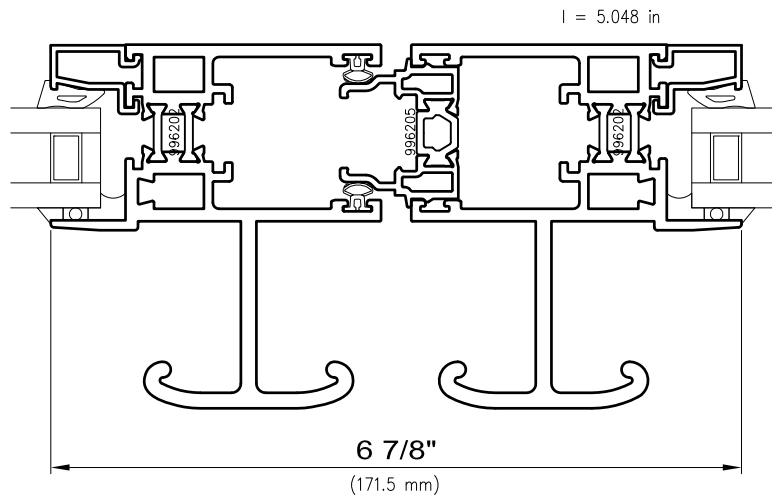




6
Meeting Rail
Inside Slide



5
Operable Jamb
Inside Slide



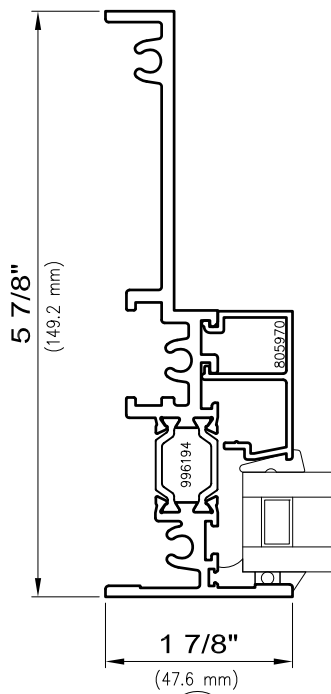
7
Centeropen Meeting Rail
Inside Slide

I-values indicated are for frame members only.
Thermal barrier shear reduction of 15% included.

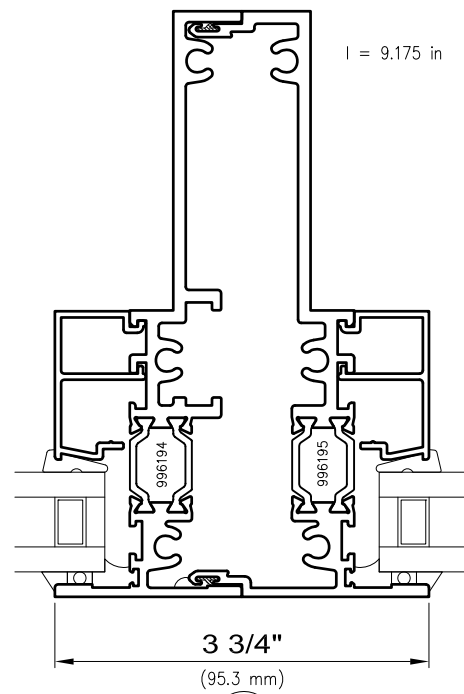


Architectural Sliding Glass Door

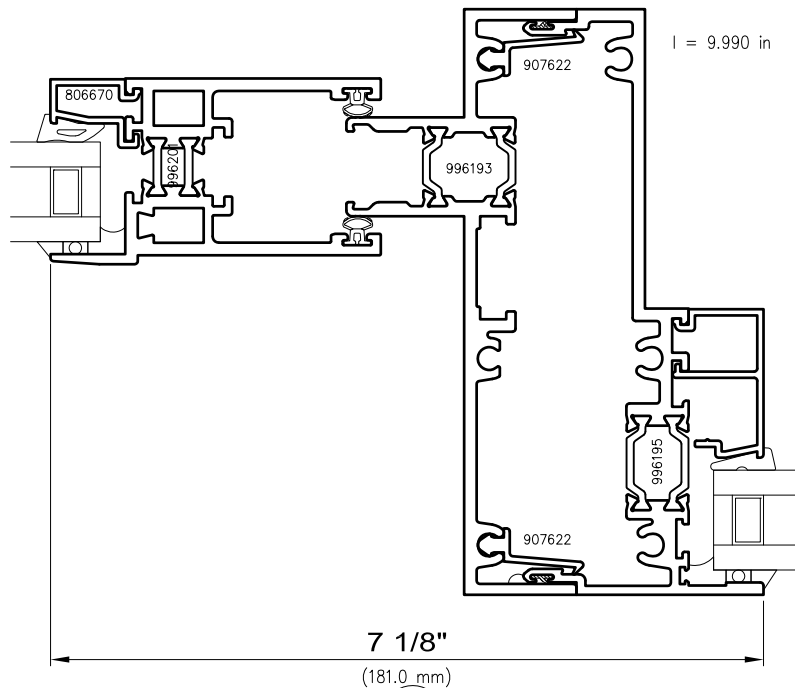
CROSSTRAK™ Series



8
Fixed Jamb
Inside Slide



9
Fixed/Fixed Stack
Inside Slide



10
Operable/Fixed Stack
Inside Slide

I-values indicated are for frame members only.
Thermal barrier shear reduction of 15% included.



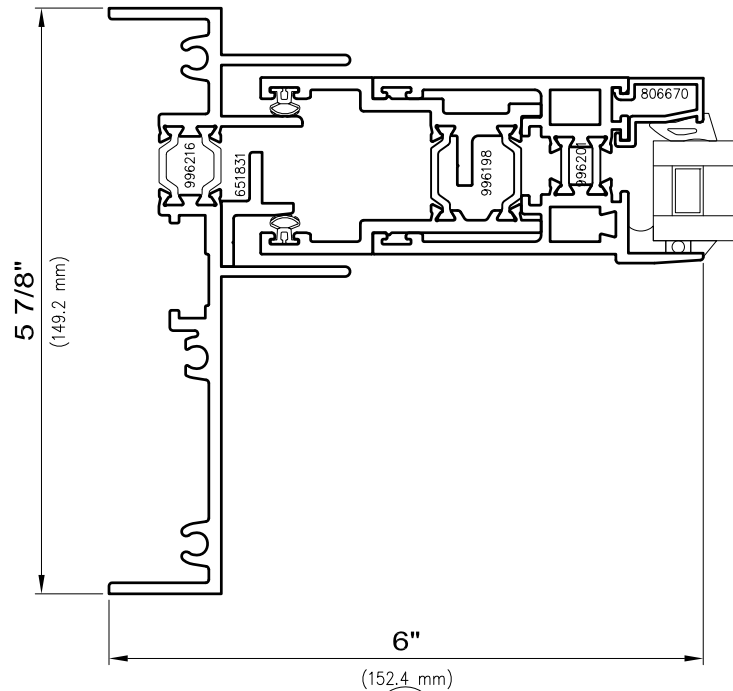
WAUSAU

WINDOW AND WALL
SYSTEMS

SLIDING PATIO DOOR

Architectural Sliding Glass Door

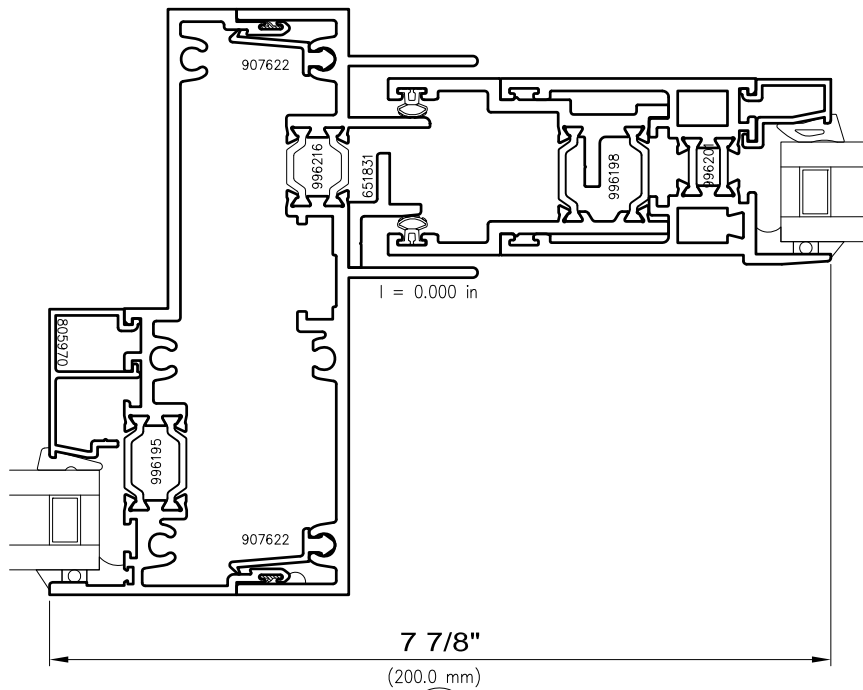
CROSSTRAK™ Series



11

Heavy Duty Operable Jamb

Inside Slide



12

Fixed/ Heavy Duty Operable

Inside Slide

I-values indicated are for frame members only.
Thermal barrier shear reduction of 15% included.



WAUSAU

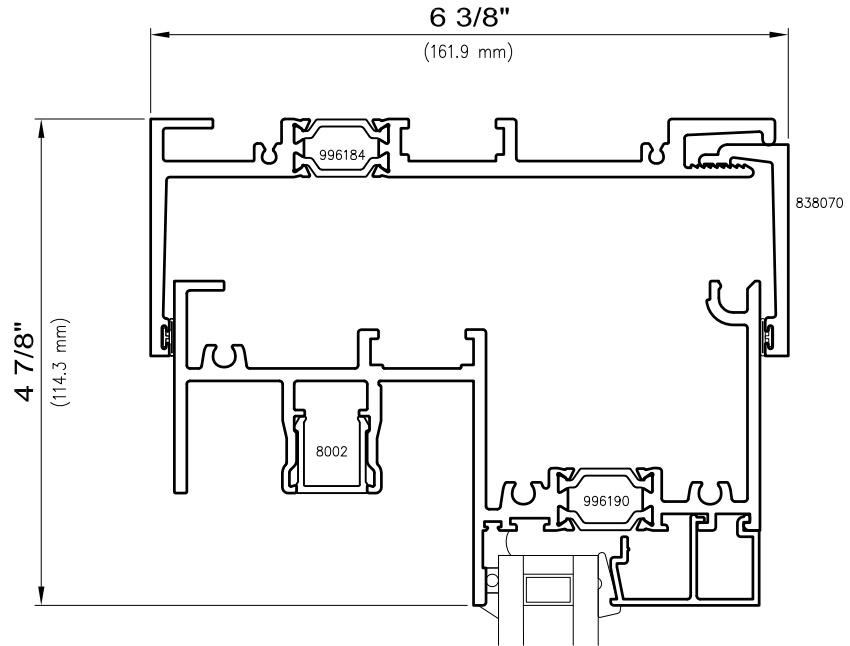
WINDOW AND WALL
SYSTEMS

SLIDING PATIO DOOR

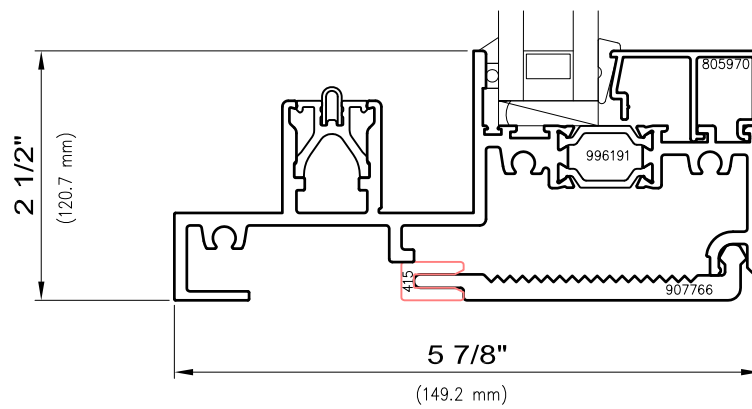
Architectural Sliding Glass Door

CROSSTRAK™ Series

13
Fixed Head
Outside Slide



14
Fixed Sill
Outside Slide





WAUSAU

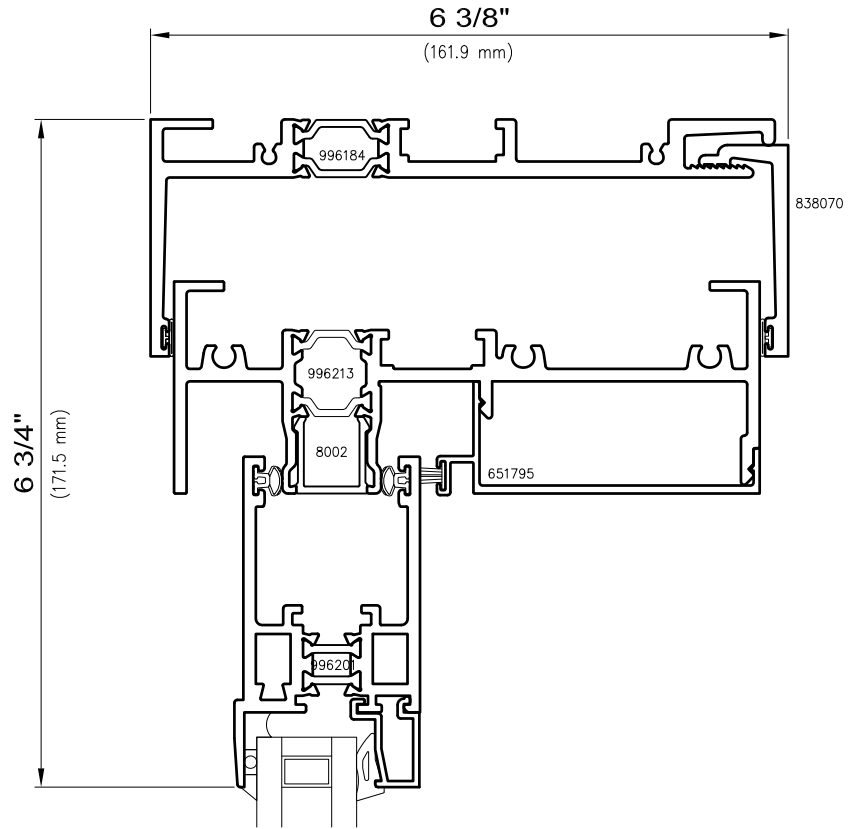
WINDOW AND WALL
SYSTEMS

SLIDING PATIO DOOR

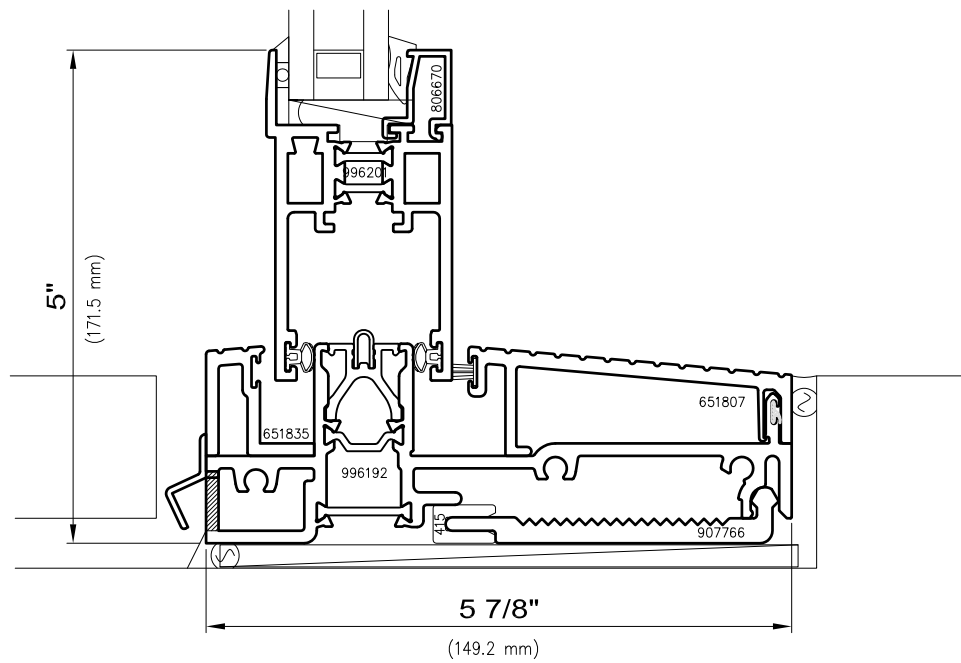
Architectural Sliding Glass Door

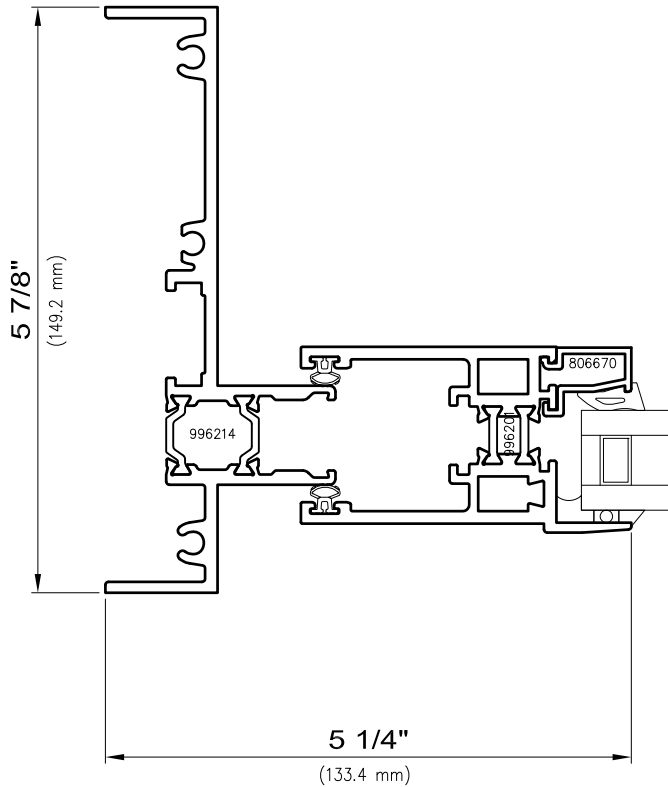
CROSSTRAK™ Series

15
Operable Head
Outside Slide



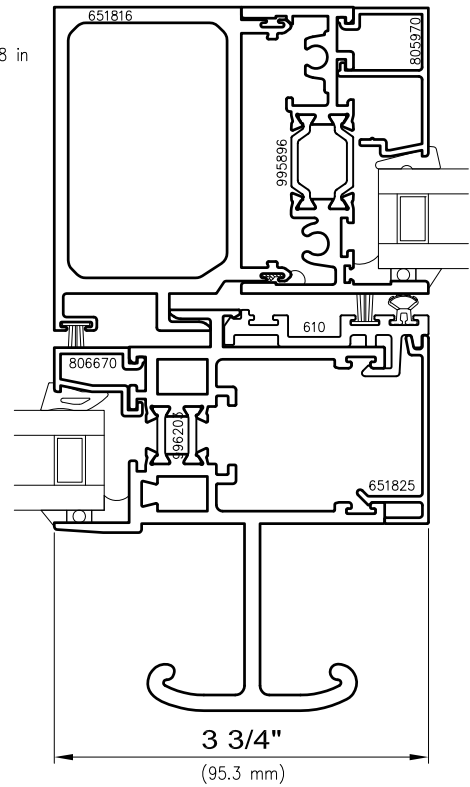
16
Operable Sill
Outside Slide





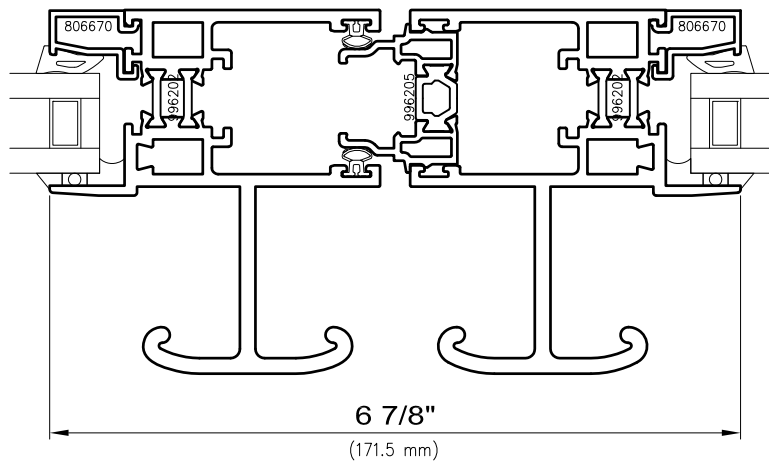
17
Meeting Rail
Outside Slide

I = 5.658 in



18
Operable Jamb
Outside Slide

I = 5.048 in



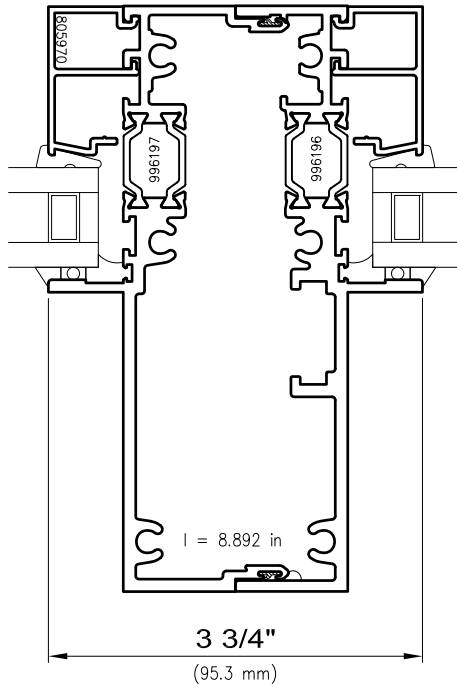
19
Centeropen Meeting Rail
Outside Slide

I-values indicated are for frame members only.
Thermal barrier shear reduction of 15% included.

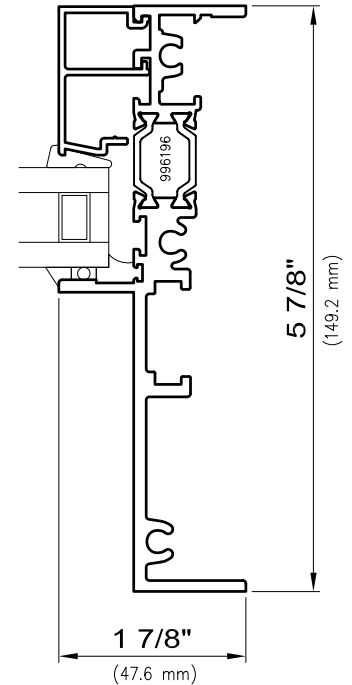


Architectural Sliding Glass Door

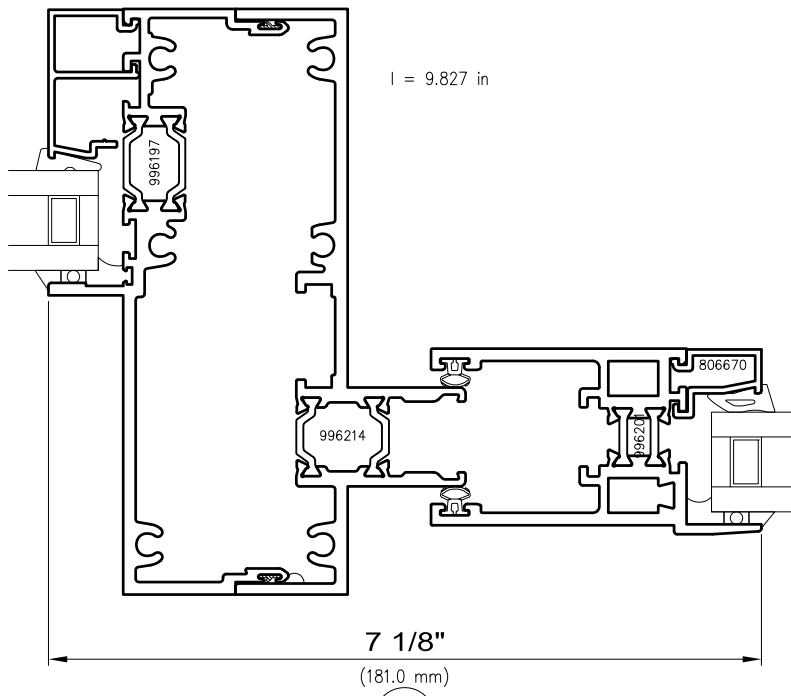
CROSSTRAK™ Series



21
Fixed/Fixed Stack
Outside Slide



20
Fixed Jamb
Outside Slide



22
Operable/Fixed Stack
Outside Slide

I-values indicated are for frame members only.
Thermal barrier shear reduction of 15% included.



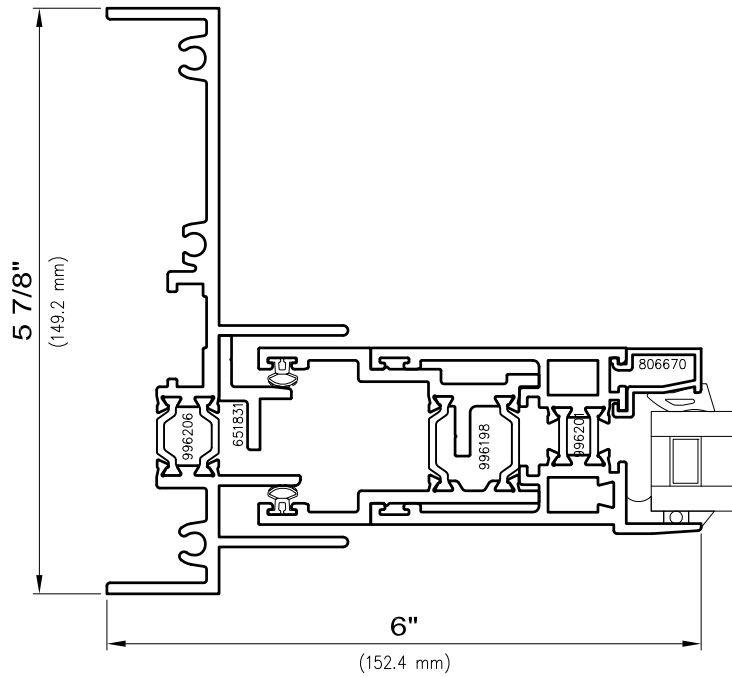
WAUSAU

WINDOW AND WALL
SYSTEMS

SLIDING PATIO DOOR

Architectural Sliding Glass Door

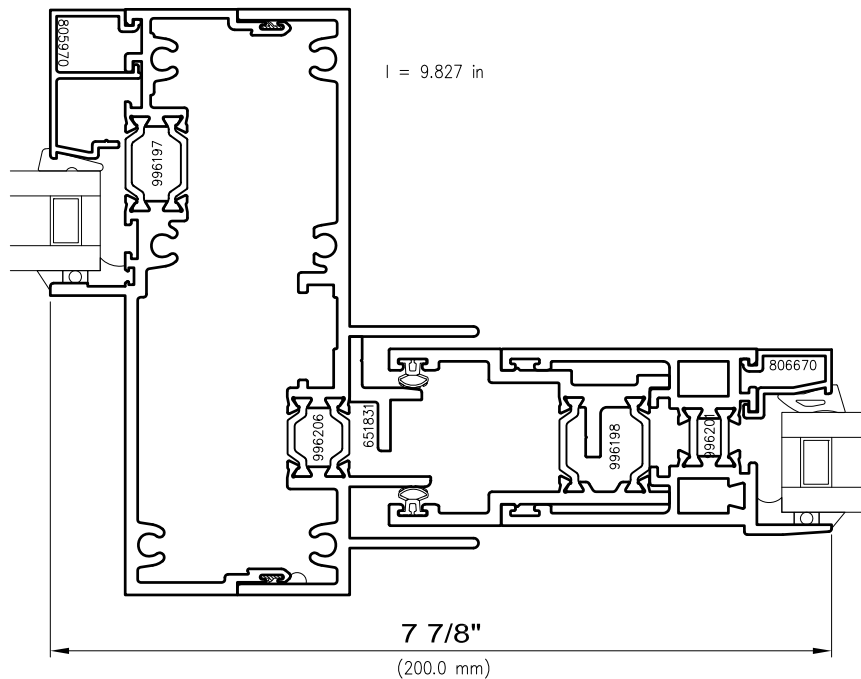
CROSSTRAK™ Series



23

Heavy Duty Operable Jamb

Outside Slide



I = 9.827 in

24

Fixed/ Heavy Duty Operable

Outside Slide

I-values indicated are for frame members only.
Thermal barrier shear reduction of 15% included.



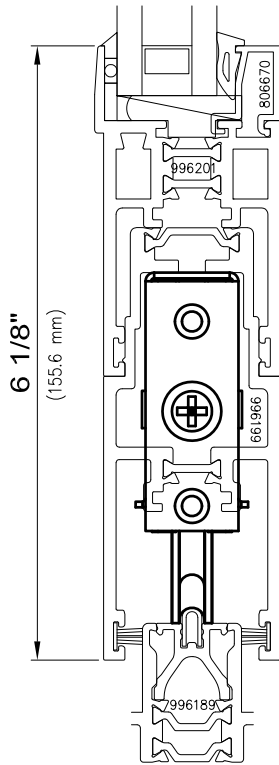
WAUSAU

WINDOW AND WALL
SYSTEMS

HEAVY DUTY ROLLER OPTIONS

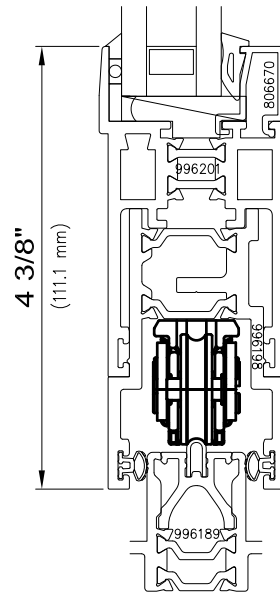
Architectural Sliding Glass Door

CROSSTRAK™ Series



25

Heavy Duty Conventional
Outside Slide



26

Heavy Duty Lift and Slide
Outside Slide

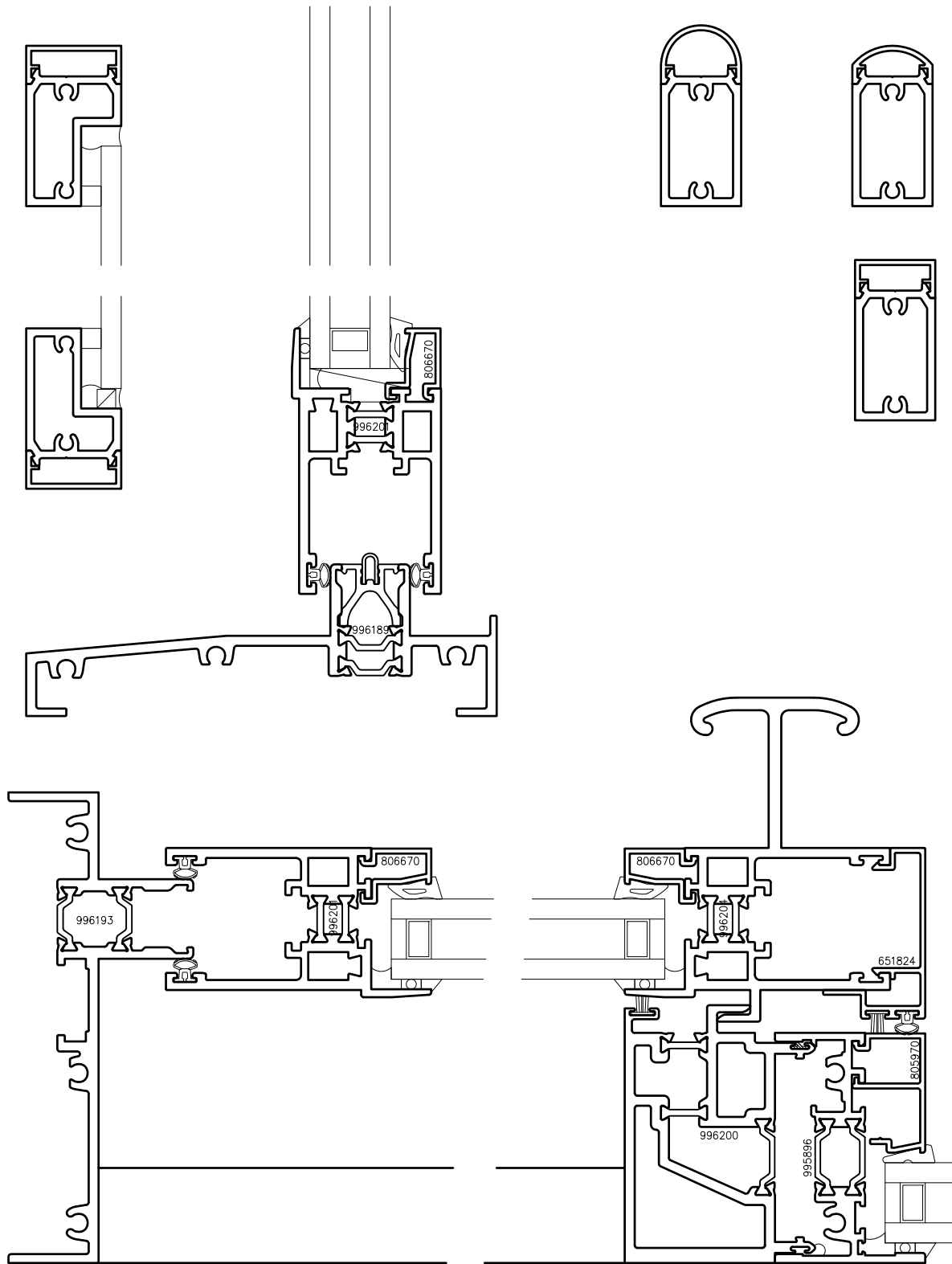


Architectural Sliding Glass Door

CROSSTRAK™ Series

Non-stocked items shown – Minimum order quantity may apply

27



Juliet Balcony



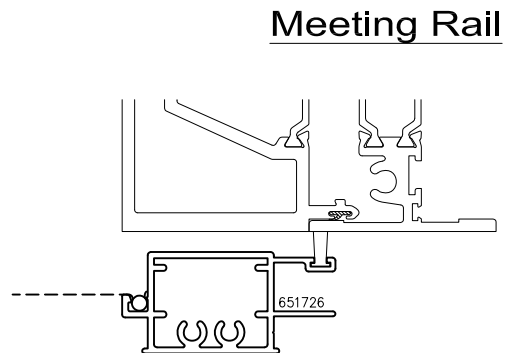
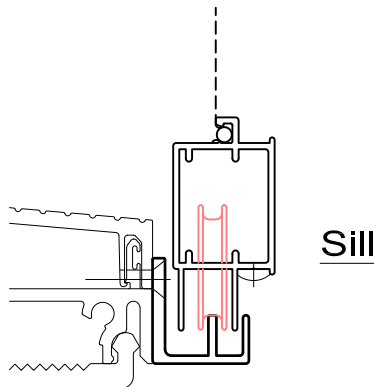
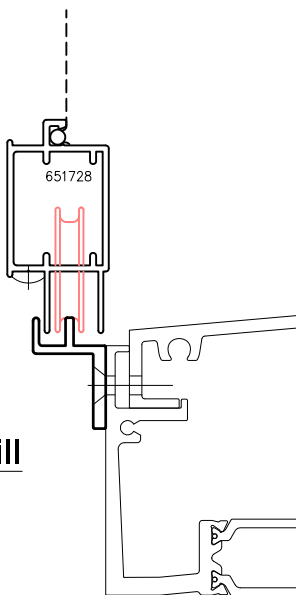
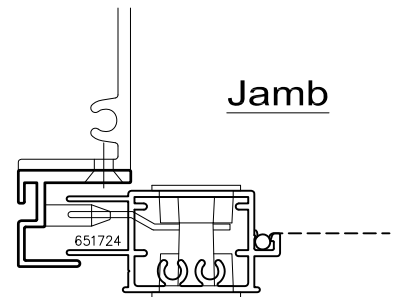
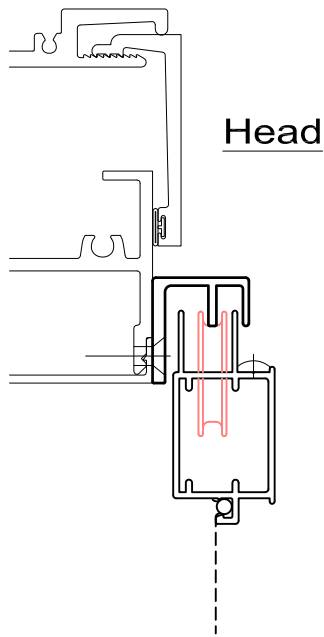
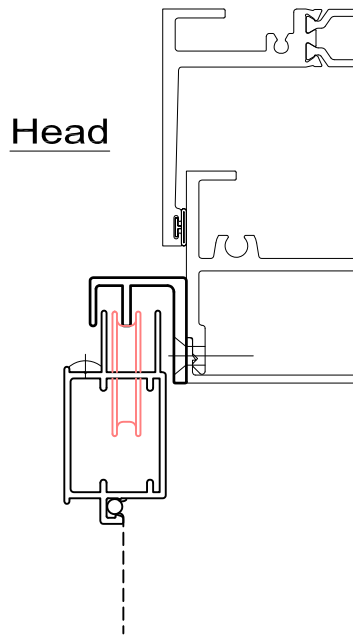
WAUSAU

WINDOW AND WALL
SYSTEMS

SCREEN OPTIONS

Architectural Sliding Glass Door

CROSSTRAK™ Series



Exterior Application

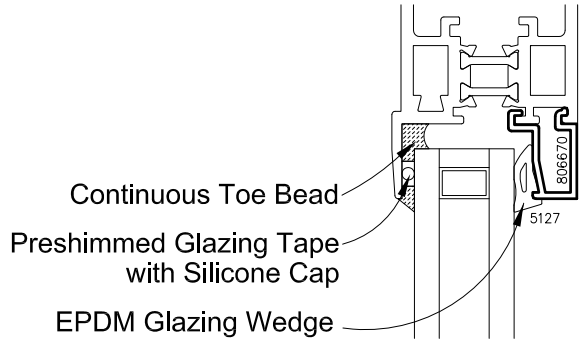
Not for use with Juliet Option

Interior Application

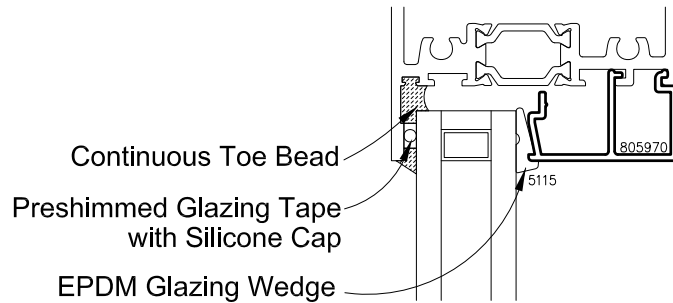


Architectural Sliding Glass Door

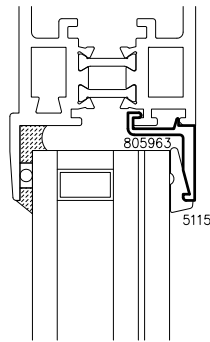
CROSSTRAK™ Series



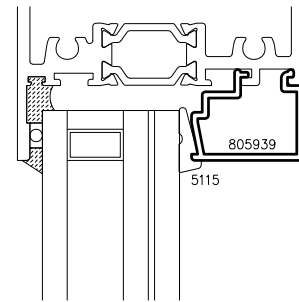
1" Insulating Glass
Operable Inside Glazed



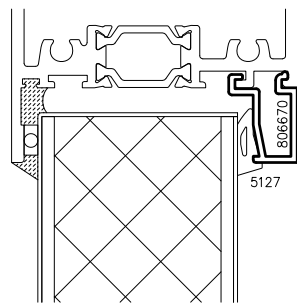
1" Insulating Glass
Fixed Inside Glazed



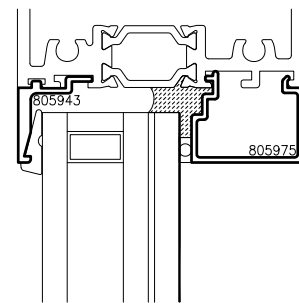
1-3/8" Insulating Glass
Operable Inside Glazed



1-3/8" Insulating Glass
Fixed Inside Glazed



2" Panel
Inside Glazed



1-3/8" Spandrel Glass
Outside/Inside Glazed